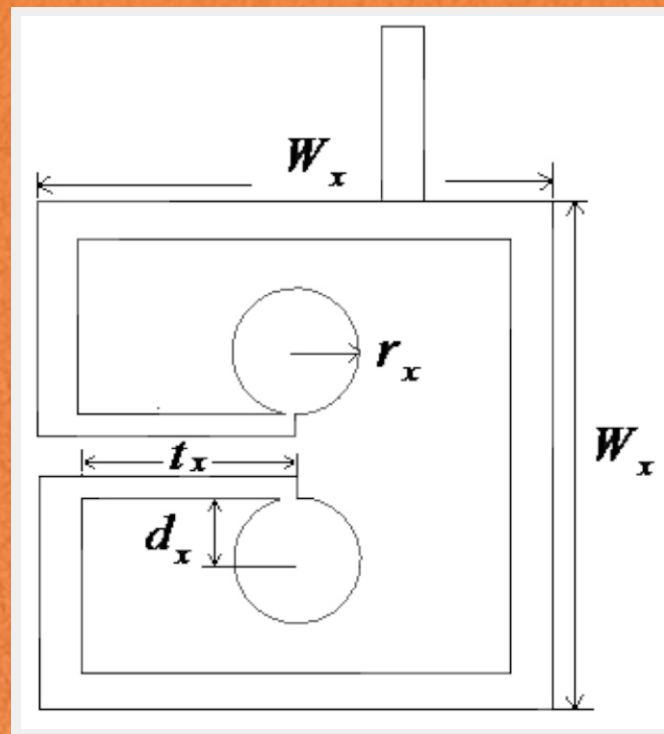


# Journal of Electromagnetic Analysis and Applications



# JOURNAL EDITORIAL BOARD

ISSN: 1942-0730 (Print)

ISSN: 1942-0749 (Online)

<http://www.scirp.org/journal/jemaa>

---

## Editors-in-Chief

**Prof. Paul RP Hoole** Taylor's University, Malaysia

**Prof. Yuanzhang Sun** Wuhan University, China

## Editorial Advisory Board

**Prof. C. C. Chan** University of Hong Kong, China

**Prof. Ryuichi Yokoyama** Waseda University, Japan

**Prof. Xiaoxin Zhou** Chinese Society of Electrical Engineering (CSEE), China

## Editorial Board

**Dr. Leonardo M. Angelone** Food and Drug Administration, USA

**Prof. Vladimir N. Binhi** Russian Academy of Sciences, Russia

**Dr. Marco Breschi** University of Bologna, Italy

**Prof. Iver Hakon Brevik** Norwegian University of Science and Technology, Norway

**Prof. Antonella D'Orazio** Polytechnic of Bari, Italy

**Dr. Hosam El-Ocla** Lakehead University, Canada

**Prof. Mohamed H. Gaber** Cairo University, Egypt

**Prof. Kerim Guney** Nuh Naci Yazgan University, Turkey

**Dr. Yuchun Guo** Jiangnan Electronic Communication Research Institute, China

**Prof. Xijiang Han** Harbin Institute of Technology, China

**Dr. Eisuke Hanada** Shimane University Hospital, Japan

**Prof. Isabel Jesus** Institute of Engineering of Porto, Portugal

**Prof. Yonghua Song** Tsinghua University, China

**Prof. Vishnu Srivastava** Central Electronics Engineering Research Institute, India

**Prof. Francisco Torrens** Universitat of Valencia, Spain

**Prof. Uygun V. Valiev** Mirzo Ulugbek National University of Uzbekistan (NUUz), Uzbekistan

**Dr. Chao-Fu Wang** National University of Singapore, Singapore

**Prof. Tham-Choy Yoong** Wawasan Open University, Malaysia

**Prof. Zeev Zalevsky** Bar-Ilan University, Israel

## TABLE OF CONTENTS

**Volume 5    Number 3**

**March 2013**

<b>The Precise Determination of Mass through the Oscillations of a Very High-<math>Q</math> Electromechanical System</b> O. F. Schilling.....	91
<b>Integrated Design of a Compact and Lightweight S-Band Traveling-Wave Tube Amplifier for a New Class of Microwave Power Module</b> H. Song, L. Tekamp, F. Francisco, M.-C. Lin, P. H. Stoltz, D. Smith, G. W. Choi, J. J. Choi.....	96
<b>Chiral Dirac Equation Derived from Quaternionic Maxwell's Systems</b> H. Torres-Silva.....	103
<b>Broadband Miniaturized Bandpass Filter with Circular Stubs for Compact Wireless and Mobile Communication Systems</b> Y. L. Zhang, H. Song.....	109
<b>A Hybrid Structure of Dual Stators and a Pneumatic Spring for Resonance Control in an Air Mount</b> H.-T. Kim, C.-H. Kim, S.-B. Kang, S.-J. Moon, G.-S. Lee.....	114
<b>The Onset of Ferromagnetic Convection in a Micropolar Ferromagnetic Fluid Layer Heated from Below</b> C. E. Nanjundappa, I. S. Shivakumara, K. Srikumar.....	120
<b>Time Domain of Sommerfelds Problem of Lossy Half-Space</b> A. A. S. Abo Seliem, F. Alseroury.....	134

---

The figure on the front cover is from the article published in *Journal of Electromagnetic Analysis and Applications*, 2013, Vol. 5, No. 3, pp. 109-113 by Yulan Zhang and Heather Song.

# **Journal of Electromagnetic Analysis and Applications (JEMAA)**

## **Journal Information**

### **SUBSCRIPTIONS**

The *Journal of Electromagnetic Analysis and Applications* (Online at Scientific Research Publishing, [www.SciRP.org](http://www.SciRP.org)) is published monthly by Scientific Research Publishing, Inc., USA.

#### **Subscription rates:**

Print: \$79 per issue.

To subscribe, please contact Journals Subscriptions Department, E-mail: [sub@scirp.org](mailto:sub@scirp.org)

### **SERVICES**

#### **Advertisements**

Advertisement Sales Department, E-mail: [service@scirp.org](mailto:service@scirp.org)

#### **Reprints (minimum quantity 100 copies)**

Reprints Co-ordinator, Scientific Research Publishing, Inc., USA.

E-mail: [sub@scirp.org](mailto:sub@scirp.org)

### **COPYRIGHT**

Copyright©2013 Scientific Research Publishing, Inc.

All Rights Reserved. No part of this publication may be reproduced, stored in a retrieval system, or transmitted, in any form or by any means, electronic, mechanical, photocopying, recording, scanning or otherwise, except as described below, without the permission in writing of the Publisher.

Copying of articles is not permitted except for personal and internal use, to the extent permitted by national copyright law, or under the terms of a license issued by the national Reproduction Rights Organization.

Requests for permission for other kinds of copying, such as copying for general distribution, for advertising or promotional purposes, for creating new collective works or for resale, and other enquiries should be addressed to the Publisher.

Statements and opinions expressed in the articles and communications are those of the individual contributors and not the statements and opinion of Scientific Research Publishing, Inc. We assume no responsibility or liability for any damage or injury to persons or property arising out of the use of any materials, instructions, methods or ideas contained herein. We expressly disclaim any implied warranties of merchantability or fitness for a particular purpose. If expert assistance is required, the services of a competent professional person should be sought.

### **PRODUCTION INFORMATION**

For manuscripts that have been accepted for publication, please contact:

E-mail: [jemaa@scirp.org](mailto:jemaa@scirp.org)



# Journal of Electromagnetic Analysis and Applications

ISSN: 1942-0730 (Print) ISSN: 1942-0749 (Online)

[www.scirp.org/journal/jemaa](http://www.scirp.org/journal/jemaa)

**Journal of Electromagnetic Analysis and Applications (JEMAA)** is a professional journal in the field of electromagnetic analysis, testing and application. The goal of this journal is to provide an international platform for engineers and academicians all over the world to promote, share, and discuss various new issues and developments in the field of electromagnetics. This journal is edited to encourage deeper understanding and greater effectiveness in theory analysis, testing, numerical calculation and engineering application that relevant electromagnetic fields.

## Editors-in-Chief

Prof. Paul RP Hoole  
Prof. Yuanzhang Sun

Taylor's University, Malaysia  
Wuhan University, China

## Subject Coverage

JEMAA publishes four categories of original technical reports: papers, communications, reviews, and discussions. Papers are well-documented final reports of research projects. Communications are shorter and contain noteworthy items of technical interest or ideas required rapid publication. Reviews are synoptic papers on a subject of general interest, with ample literature references, and written for readers with widely varying background. Discussions on published reports, with author rebuttals, form the fourth category of JEMAA publications. Topics of interest include, but are not limited to:

- Antenna Arrays
- Antenna Theory and Applications
- Biological Effects
- Eddy Current Problems
- Electric Power and Grounding (Earth)
- Electric Power Line
- Electrical Machine
- Electrocardiograph (ECG)
- Electroencephalograph (EEG)
- Electromagnetic Breaker
- Electromagnetic Compatibility
- Electromagnetic Compatibility and Electromagnetic Environment
- Electromagnetic Compatibility (EMC)
- Electromagnetic Devices
- Electromagnetic Field Theory
- Electromagnetic Interferences (EMI)
- Electromagnetic Inverse Problems
- Electromagnetic Launch
- Electromagnetic Material Modelling
- Electromagnetic Measurement Technology and Instruments
- Electromagnetic Nondestructive Testing
- Electromagnetic Numerical Analysis
- Electromagnetic Physics
- Electromagnetic Solid Mechanics
- Electromagnetic Structure Optimization
- Electromagnetism and Biological Tissues
- Electromagnetism and Medical Devices

- Electromagnetism in Medical Applications
- Electromyography
- Environmental Pollution by Electromagnetics
- Fiber Optics
- High Frequency Techniques
- Integrated Optics
- Magnetic Fluid
- Measuring Technique of Radiated Electromagnetic
- Medical Applications
- Moving Conductor Eddy Current Problems
- Multiphysics Coupled Problems
- Noise and Signals
- Noise Reduction
- Optical and Millimeter Wave Techniques
- Printed Circuits
- Quasi-Static Fields
- Radar Measurements and Applications
- Radiated Electromagnetic
- Scattering and Diffraction
- Serges (Thunderbolts or Static Electricity)
- Solid State Devices and Circuits
- Static Fields
- Static Magnetic
- Test Electromagnetic Analysis Method (Team) Workshop Benchmark Problems
- The Problems of the Propagation of Electromagnetic Waves
- Waveguides

## Notes for Intending Authors

Submitted papers should not be previously published nor be currently under consideration for publication elsewhere. Paper submission will be handled electronically through the website. All papers will be peer reviewed. For more details about the submissions, please access the website.

## Website and E-Mail

<http://www.scirp.org/journal/jemaa>

E-mail: [jemaa@scirp.org](mailto:jemaa@scirp.org)